

Cable feed-through plates - MC-35-MULTI-65-PVO-BK - 1422351

Please be informed that the data shown in this PDF Document is generated from our Online Catalog. Please find the complete data in the user's documentation. Our General Terms of Use for Downloads are valid (<http://phoenixcontact.com/download>)



Cable feed-through plates, no. of conductors: 35, length: 222 mm, width: 92 mm, height: 17.6 mm, external cable diameter: 2x 6 mm ... 10 mm , color: black

Your advantages

- Oil-resistant according to UL 157



Key Commercial Data

Packing unit	1 pc
GTIN	 4 055626 301860
GTIN	4055626301860
Weight per Piece (excluding packing)	300.000 g
Custom tariff number	39269097
Country of origin	Finland

Technical data

Dimensions

Length	222 mm
Width	92 mm
Height	17.6 mm
Drill hole distance, horizontal	62 mm
Drill hole distance, vertical	193 mm
External cable diameter	2x 6 mm ... 10 mm
	14x 7 mm ... 12 mm
	16x 10 mm ... 14 mm

Cable feed-through plates - MC-35-MULTI-65-PVO-BK - 1422351

Technical data

Dimensions

	2x 12 mm ... 18 mm
	1x 17 mm ... 32 mm

Ambient conditions

Degree of protection	IP65 (Minimum sheet thickness \geq 2.5 mm)
Ambient temperature (operation)	-40 °C ... 100 °C

General

Note	incl. mounting screws
	2 mm thick coated, galvanized sheet steel
No. of conductors	35
Torque	1.5 Nm ... 2 Nm (Mounting screws)
Material	TPE-SEBS
	galvanized sheet steel (Core)
	TPE-SEBS (external material)
Flammability rating according to UL 94	V0
Color	black
Installation instructions	M8 mounting screw, torque: 1.5 - 2.0 Nm, SW5 Allen key
	The mounting screws included should be used for assembly. Assembly steps: 1) Fix Multigates with the mounting screws provided (observe torque) 2) Make a hole in the membrane (with a screwdriver) or cut off the tip of the cone 3) Guide the cable through the opening (from the outside). Withdraw the cable approximately 20 mm (to improve strain relief).

Standards and Regulations

Flammability rating according to UL 94	V0
--	----

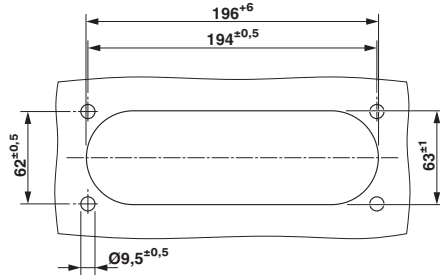
Environmental Product Compliance

China RoHS	Environmentally friendly use period: unlimited = EFUP-e
	No hazardous substances above threshold values

Drawings

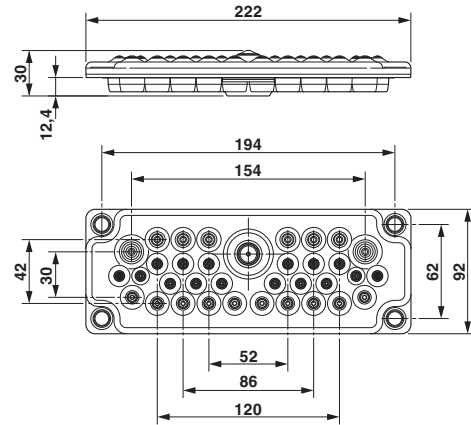
Cable feed-through plates - MC-35-MULTI-65-PVO-BK - 1422351

Dimensional drawing



Wall cutout drawing

Dimensional drawing



Dimensional drawing

Classifications

eCl@ss

eCl@ss 10.0.1	27400569
eCl@ss 11.0	27400569
eCl@ss 6.0	27409200
eCl@ss 7.0	27409208
eCl@ss 9.0	27400569

ETIM

ETIM 6.0	EC001004
ETIM 7.0	EC001004